

Right the First Time

Safe, Accurate, Service Friendly



Tank Weighing

SWC515 PinMount™ weigh modules offer rugged construction and many features for easy installation and accurate and reliable tank weighing. Included as standard are 360° stops and two lift-off bolts to cope with wind forces, while two vertical down-stops provide additional safety.



Easy Maintenance

SWC515 PinMount™ 200t and 300t weigh modules allow replacing the load cell without lifting the tank. A dedicated cut-out for standard hydraulic cylinders supports the installation process.



Load Cells

The analog load cells have a rocker-pin design that automatically aligns load forces for accurate weighing. These hermetically sealed load cells are rated IP68 and IP69K and can be used in all environments. The load cells are easy to inspect or replace.



SWC515 PinMount™ 200t, 300t

Right the First Time

SWC515 PinMount™ features ensure correct scale system installation, right from the start. PinMount does not compromise on safety – all safety features are provided as standard. The rocker pin design provides the highest level of weighing accuracy. Installation features including SafeLock™ ensure easy and trouble free installation.

SWC515 PinMount™ features:

- Dual integrated lift-off protection
- Dual vertical safety down-stop
- Full 360° integrated checking
- Ground strap – welding protection
- SafeLock™ – Weigh module locked for installation
- SafeLock™ – Load cell protected for installation
- All load cells with IP68 and IP69K and fully stainless steel
- Global approvals standard on each load cell
- Zinc plated steel mounting hardware
- CalFree™: Calibration without test weights

SWC515 PinMount™ Weigh Module Specifications

Weigh Module		Unit of Measure	Specification	
Model No.			SWC515 PinMount™	
Size			4	5
Rated Capacity (R.C.)		† (klb, nominal)	200 (440)	300 (660)
Max. Rated Forces ¹⁾				
Max. Compressive Force, Rated		kN (klb)	1960 (423)	2940 (635)
Max. Horizontal Force, Rated	transverse	kN (klb)	260 (56)	300 (65)
	longitudinal			
Max. Uplift Force, Rated		kN (klb)	255 (55)	400 (86)
Max. Horizontal Force (longitudinal) per stabilizer option, Rated		kN (klb)	n/a	
Max. Yield Forces ^{2) 4)}				
Max. Compressive Force, Yield		kN (klb)	3430 (740)	5150 (1543)
Max. Horizontal Force, Yield	transverse	kN (klb)	360 (78)	420 (91)
	longitudinal			
Max. Uplift Force, Yield		kN (klb)	355 (77)	560 (120)
Max. Ultimate Forces ^{3) 4)}				
Max. Compressive Force, Ultimate		kN (klb)	5885 (1270)	8830 (1908)
Max. Horizontal Force, Ultimate	transverse	kN (klb)	815 (175)	895 (193)
	longitudinal			
Max. Uplift Force, Ultimate		kN (klb)	710 (153)	950 (205)
Restoring Force		%A.L./mm (.../in) ⁵⁾	1.6 (40)	2.5 (63)
Max. top plate travel	transverse	± mm (in)	± 6 (0.24)	± 6 (0.24)
	longitudinal		± 6 (0.24)	± 6 (0.24)
Weight (including load cell), nominal		kg (lb)	152 (335)	232 (511)
Material			Carbon steel	
Finish			Zinc Plated	

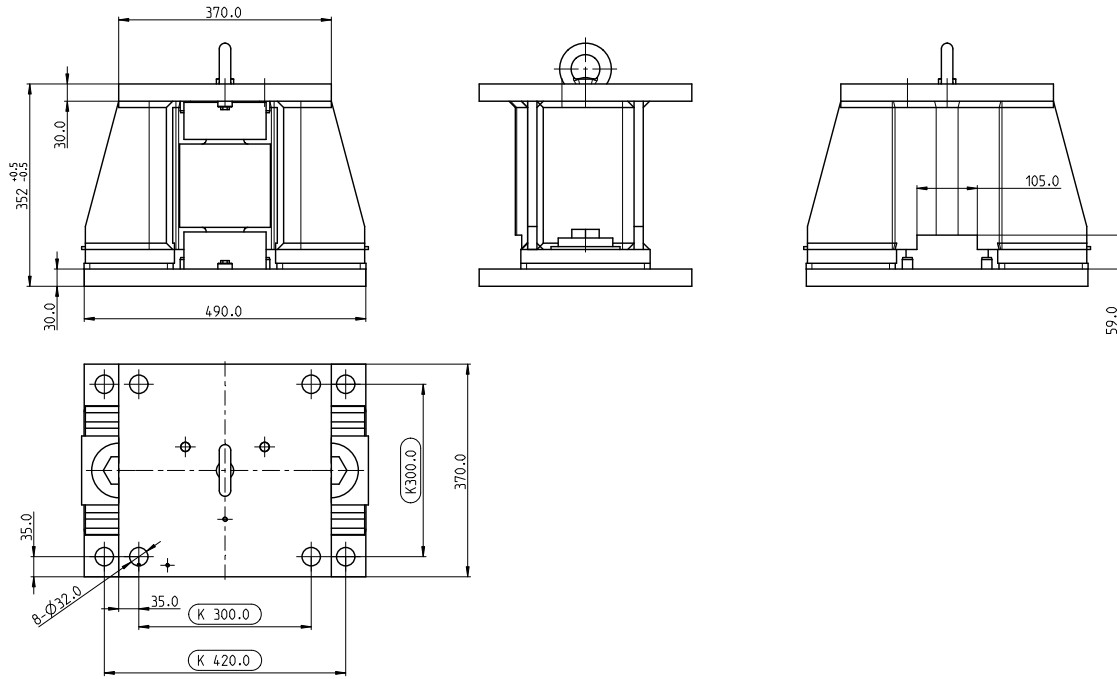
Load Cell		Unit of Measure	Specification	
Item No.			71210093	71210169
Model No.			0782	
Rated Capacity (R.C.)		† (klb, nominal)	200(440)	300 (660)
Rated Output		mV/V @R.C.	2 ± 0.1%	
Combined Error ^{8) 9)}		%R.C.	≤ 0.05	≤ 0.06
Temperature Effect on	Min. Dead load Output	%R.C./°C (.../°F)	≤ 0.002 (0.001)	
	Sensitivity ⁹⁾	%A.L./°C (.../°F)		
Temperature Range	Compensated	°C (°F)	-10 ~ +40 (-14 ~ +104)	
	Operating		-40 ~ +65 (-40 ~ +149)	
	Safe Storage		-40 ~ +80 (-40 ~ +176)	
OIML / European Approval			n/a	
NTEP Approval			n/a	
ATEX Approval ¹⁰⁾	Rating		II 2 G Ex ib IIC T4 ... T6 / II 2 D Ex ibD 21 IP68 T60 °C	
			II 3 G Ex nL IIC T6 / II 3 D Ex tD A22 IP 68 T60 °C / II 3 D Ex tD A22 IP 68 T60 °C	
IECEx Approval ¹⁰⁾	Rating		Ex ib IIC T6 ... T4 Gb / Ex ib IIIC T55 °C ... T60 °C Db	
			Ex ic IIC T6 ... T4 Gc / Ex nA IIC T6 Gc / Ex tc IIIC T60 °C Dc	
Factory Mutual Approval ¹⁰⁾	Rating, USA		IS / I, II, III / 1 / ABCDEFG / T4	
			NI / I, II, III / 2 / ABCDFG / T4	
			IS/I,II,III/1/ABCDEFG/T4	
Excitation Voltage	Recommended	V AC/DC	5 ~ 15	
	Max.		20	
Terminal Resistance	Excitation	Ω	1150 ± 25	
	Output		1000 ± 3	
Material	Spring Element		stainless steel	
	Type		Welded	
Protection	IP Rating		IP68, IP69K	
	NEMA Rating		NEMA 6/6P	
Weight, nominal		kg (lb)	12.5 (27.6)	21.7 (48)
Cable	Length	m (ft)	20 (66)	30 (98)
	Diameter	mm (in)	5.8 (0.23)	

- ¹⁾ The weigh module is rated for these forces in normal operation, a Factor of Safety has been applied by Mettler Toledo.
- ²⁾ Warning: if loaded statically one time in excess of these forces, the weigh module may yield and need replacing. The Max. Yield Forces do not consider fatigue/cyclic loading and should be approached only in exceptional circumstances.
- ³⁾ Warning: if loaded statically one time in excess of these forces, the weigh module may break with potential for serious injury and/or property damage.
- ⁴⁾ Warning: apply a Factor of Safety appropriate to the application.
- ⁵⁾ % of Applied Load (A.L.) per mm (in) displacement of the top plate (transverse & longitudinal).
- ⁸⁾ Error due to the combined effect of non-linearity and hysteresis.
- ⁹⁾ Typical values only. The sum of errors due to Combined Error and Temperature Effect on Sensitivity comply with the requirements of OIML R60 and NIST HB44.
- ¹⁰⁾ See certificate for complete information.

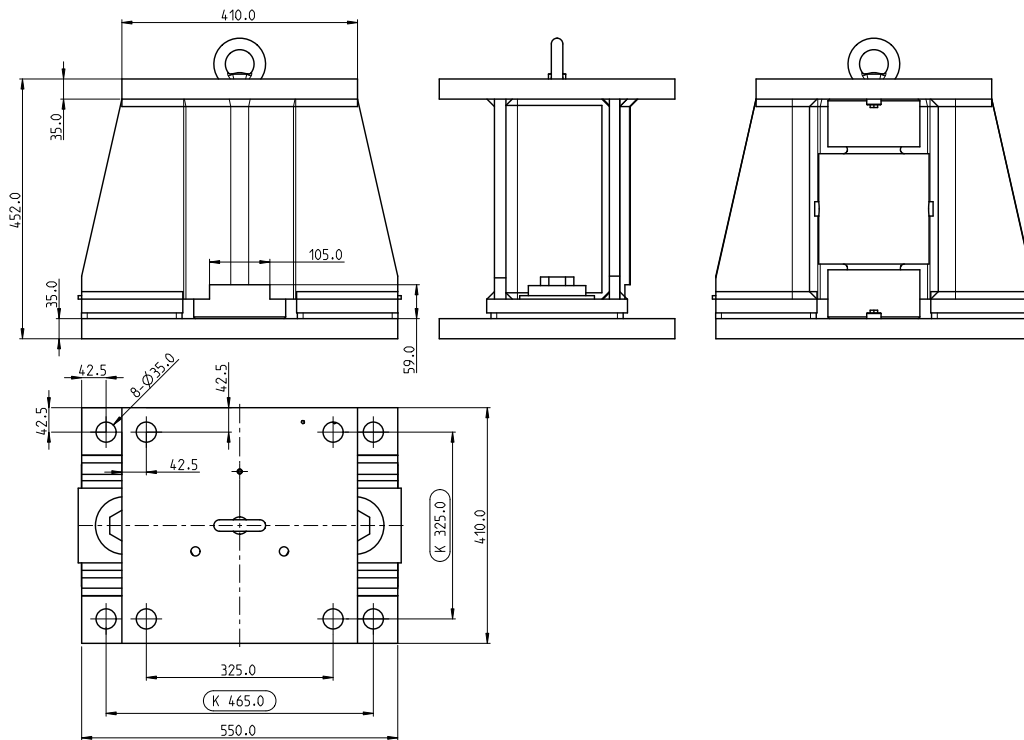


SWC515 PinMount™ Weigh Module Dimensions mm [in]

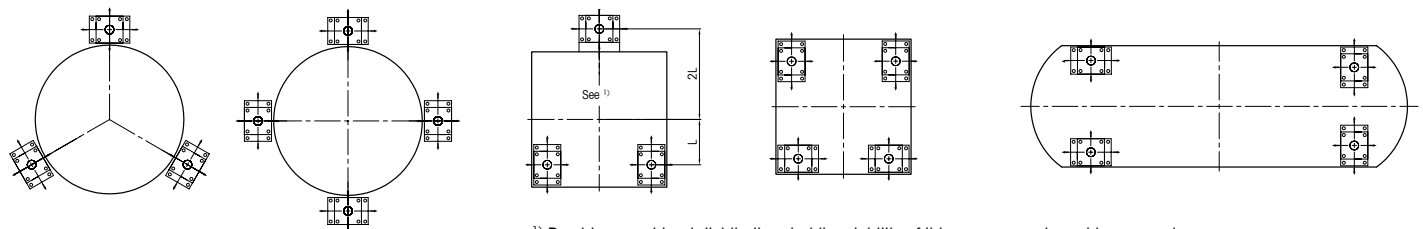
200t – Size 4



300t – Size 5



SWC515 PinMount™ Weigh Module Arrangements



1) Provides equal load distribution, but the stability of this arrangement must be assured.

Order Information SWC515 PinMount™ – Weight Module Assembly

Order Information, Weigh Module Assembly					Item No.	
Size	Rated Capacity	Description	Class	Cable, Material /Length	Material, Weigh Module	
					Zinc Plated	Region
4	200t / 440klb	Weigh Module Assembly	0.05%	PU / 20 m (66ft)	30459514	All regions
		Weigh Module Assembly EN1090			30459516	Europe only
5	300t / 660klb	Weigh Module Assembly	0.06%	PU / 30 m (98ft)	30459515	All regions
		Weigh Module Assembly EN1090			30459517	Europe only

Order Information SWC515 PinMount™ – Weigh Module without Load Cell

- SafeLock™ allows installation of weigh module hardware without load cell to avoid sensor damage
- Combine weigh module with other load cells (special cable lengths, etc.)
- Use weigh module with dummy load cell for level detection systems

Order Information, Weigh Module without Load Cell			Item No.		Suitable Load Cells		
Size	Rated Capacity	Description	Material, Weigh Module		Class	Item No.	
			Zinc Plated	Region		Cable, Material / Length	
						PU / 20 m (66 ft)	PU / 30 m (98 ft)
1	200t / 400klb	Weigh Module Kit	30459462	All regions	0.05%	71210093	–
		Weigh Module Kit EN1090	30459512	Europe only			
2	300t / 660 klb	Weigh Module Kit	30459471	All regions	0.06%	–	71210169
		Weigh Module Kit EN1090	30459513	Europe only			

Bolded entries are stocked

0782 Cable Colour

Colour	Function
Green	+ Excitation
Black	– Excitation
White	+ Signal
Red	– Signal
Yellow	+ Sense
Blue	– Sense
Yellow (long)	Shield

Full Connectivity

METTLER TOLEDO supplies various data communication interfaces that enable our sensors and instruments to communicate with your PLC, MES, or ERP systems.



METTLER TOLEDO Service

Our extensive service network is among the best in the world and ensures maximum availability and service life of your product.

Weighing Electronics

METTLER TOLEDO offers a complete family of electronics from simple weighing to application solutions for filling, stock control, batching, formulation, counting, checkweighing.



METTLER TOLEDO Group
Industrial Division
Local contact: www.mt.com/contacts

Subject to technical changes
©10/2018 METTLER TOLEDO. All rights reserved
Document No. 30418562
MarCom Industrial

www.mt.com

For more information