

## Cable Protector

### for PowerMount™ Weigh Modules



**METTLER TOLEDO**

# METTLER TOLEDO

## Cable Protector » Installation Guide



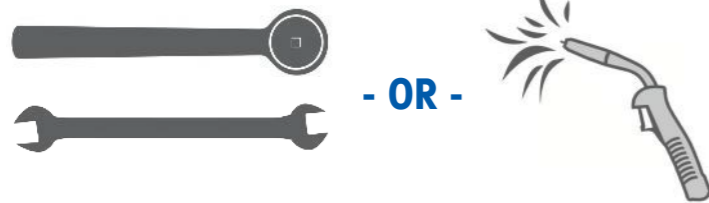
**Download the Installation Guide:**  
EU-W: English, Deutsch, Español,  
Français, Italiano, Nederlands, Português  
EU N: Svenska, Dansk, Norsk  
EU E: Polski, Čeština, Magyar,  
Русский, Türkçe

► [www.mt.com/ind-downloads-powermount](http://www.mt.com/ind-downloads-powermount)

### Before You Begin

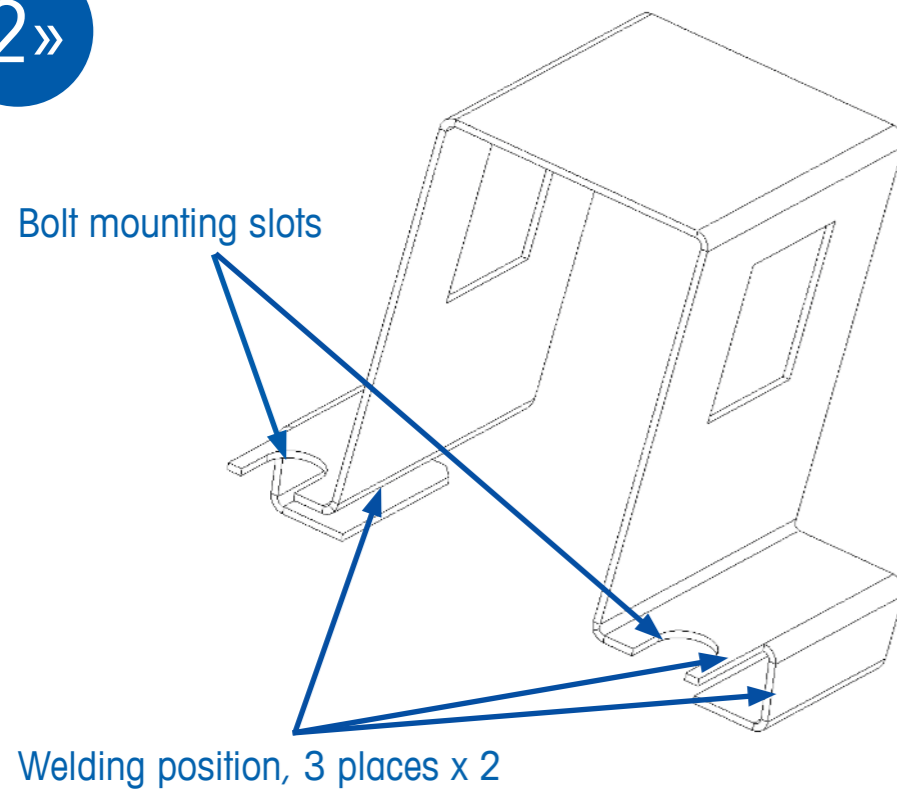
- 1»** Check P/N of Cable Protector  
30315554 for Size 2  
(110kg-2.2t, 250lb-5,000lb)  
30315555 for Size 3  
(4.4t, 10,000 lb)

#### Tools You Need:



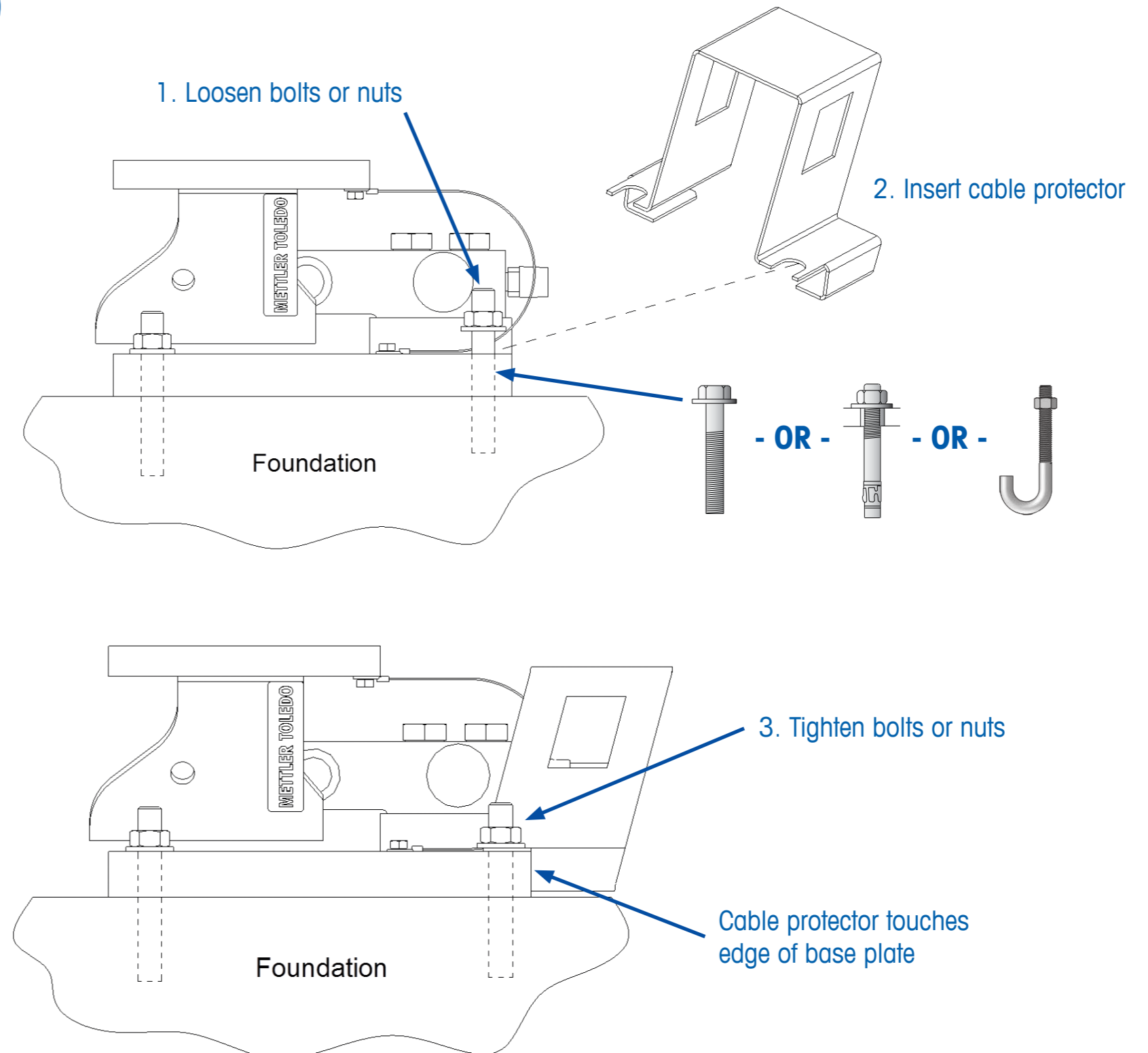
### Cable Protector

**2»**



### Install Cable Protector Using Bolts

**3»**





**Download the Installation Guide:**  
EU-W: English, Deutsch, Español,  
Français, Italiano, Nederlands, Português  
EU N: Svenska, Dansk, Norsk  
EU E: Polski, Čeština, Magyar,  
Русский, Türkçe

► [www.mt.com/ind-downloads-powermount](http://www.mt.com/ind-downloads-powermount)

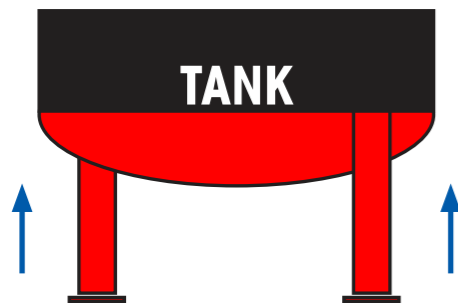
### Install Cable Protector Using Welds

4»

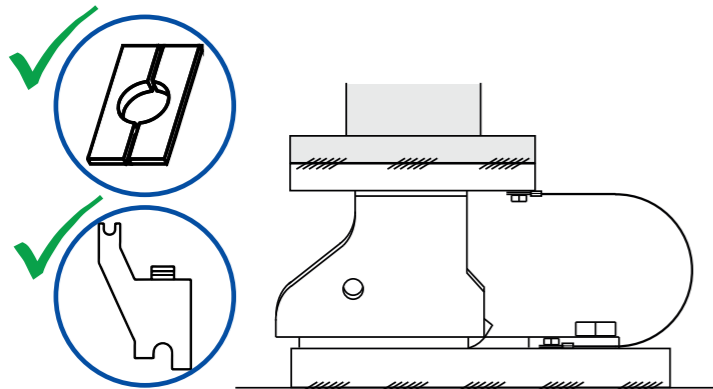
1. Prepare for welding  
Remove power from the scale



Jack up the scale structure



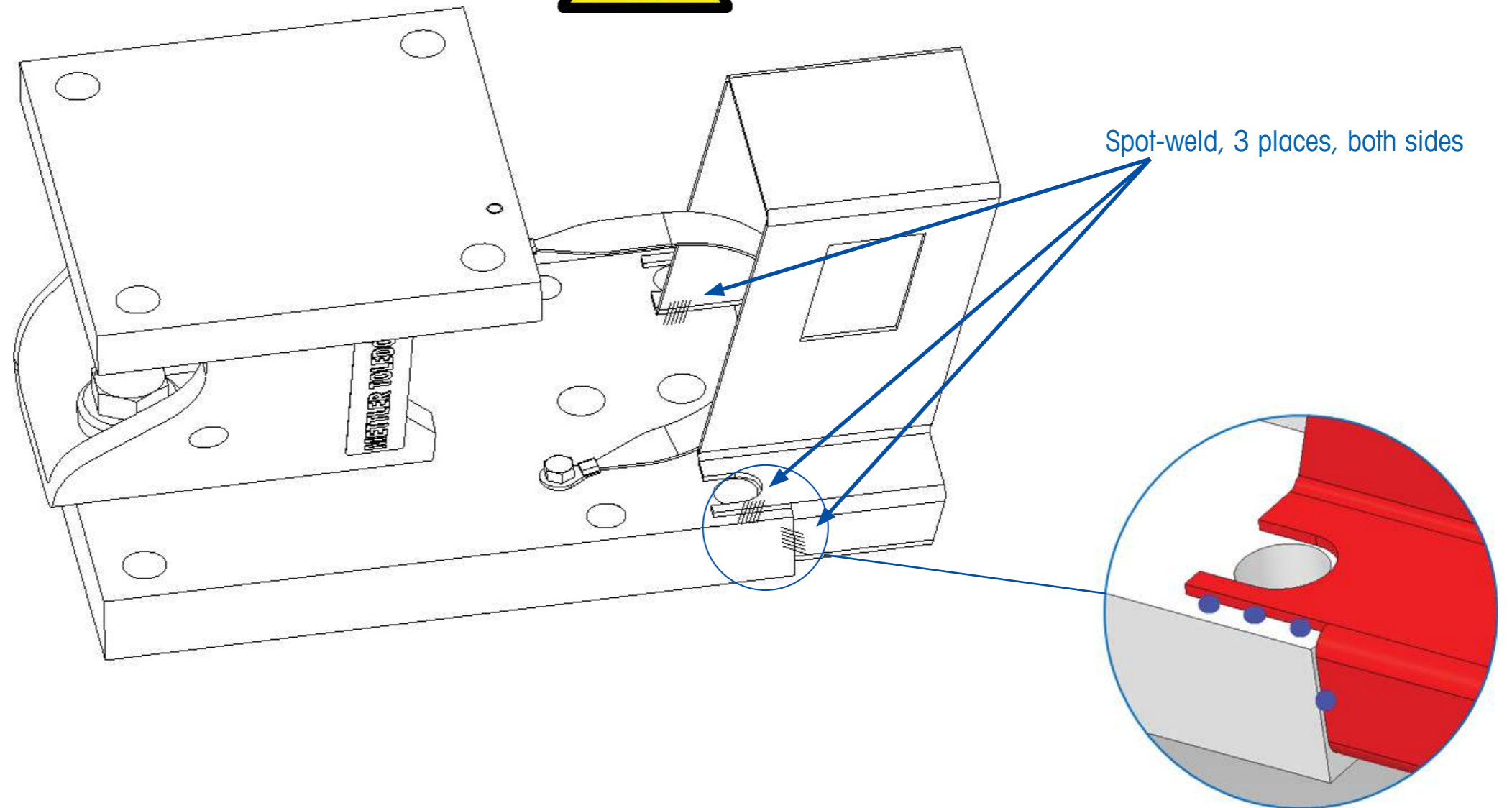
Remove load cell and ensure SafeLock™ kit is installed in weigh module



2. Weld the cable protector in place



- No load cell installed in weigh module while welding
- Ground wire of welder must be as close to the weld seam as possible to ensure proper grounding



Contact authorized METTLER TOLEDO service technician or proper removal and reinstallation of load cells.

### Contact Information:

► [www.mt.com/contact](http://www.mt.com/contact)

© 2016 Mettler-Toledo, LLC  
05/2016 | 30315556