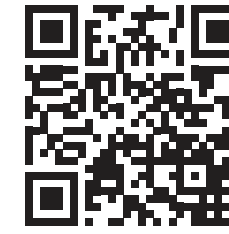


# METTLER TOLEDO

## SWB805 Hygienic Weigh Module » Installation Guide



Download the Installation Guide:  
EU-W: English, Deutsch, Español,  
Français, Italiano, Nederlands, Português  
EU N: Svenska, Dansk, Norsk  
EU E: Polski, Čeština, Magyar, Русский, Türkçe

► [www.mt.com/ind-SWB805-downloads](http://www.mt.com/ind-SWB805-downloads)

### Before You Begin

1»

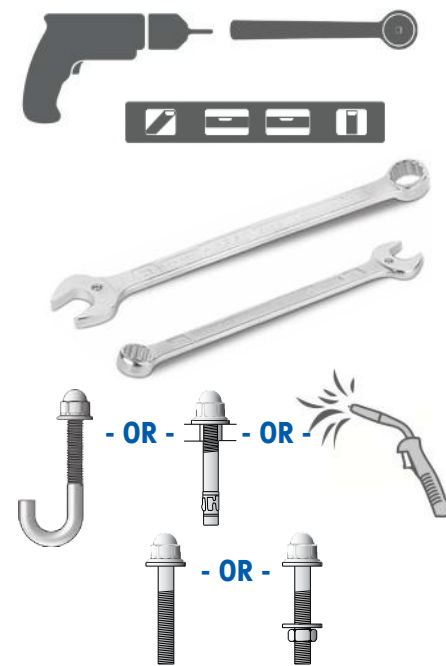


Protect the surfaces when mounting fasteners.

1

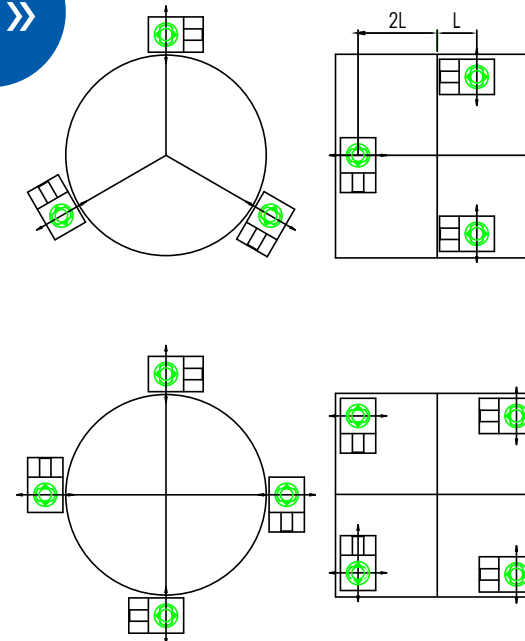


### 2 Tools You Need:

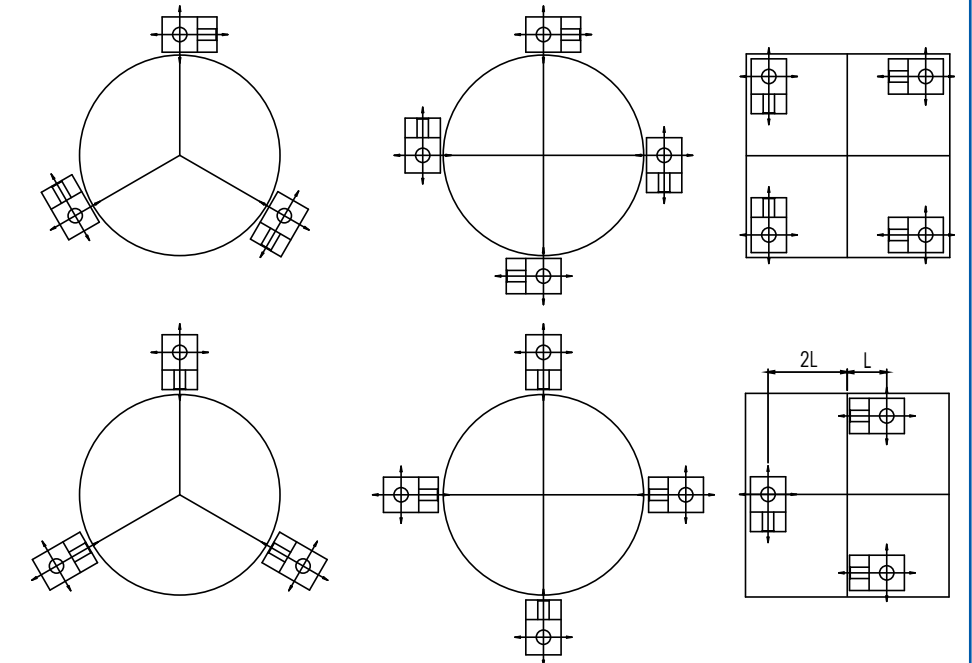


2»

### Plan Your Layout



Sample Orientations  
With Optional Stabilizers



Sample Orientations  
Without Stabilizers

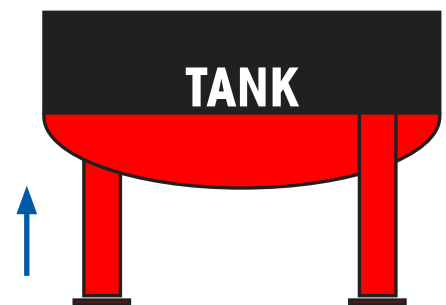
### 3 Position the Weigh Modules

3»



Block the tank when in raised position.

1 Lift tank



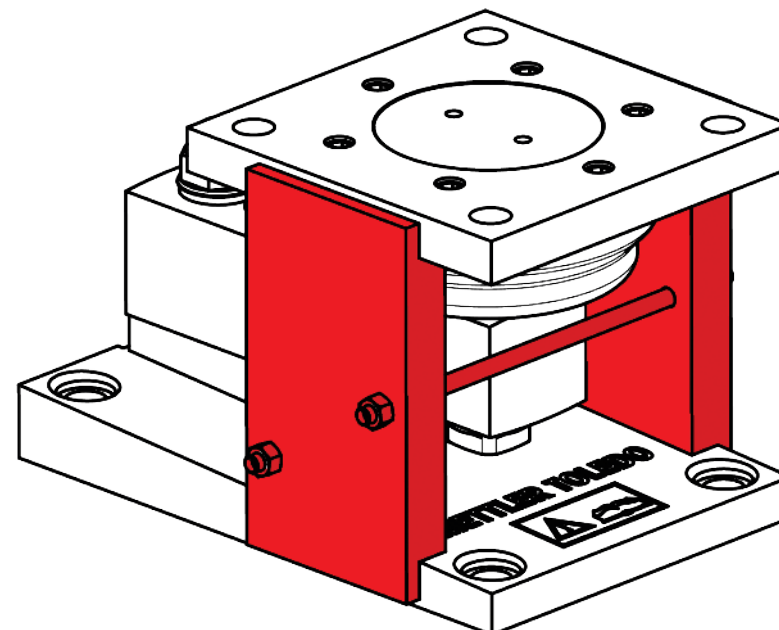
2 Position weigh modules under tank legs according to your layout

### 4 Make Sure Locking Plates are Installed

4»

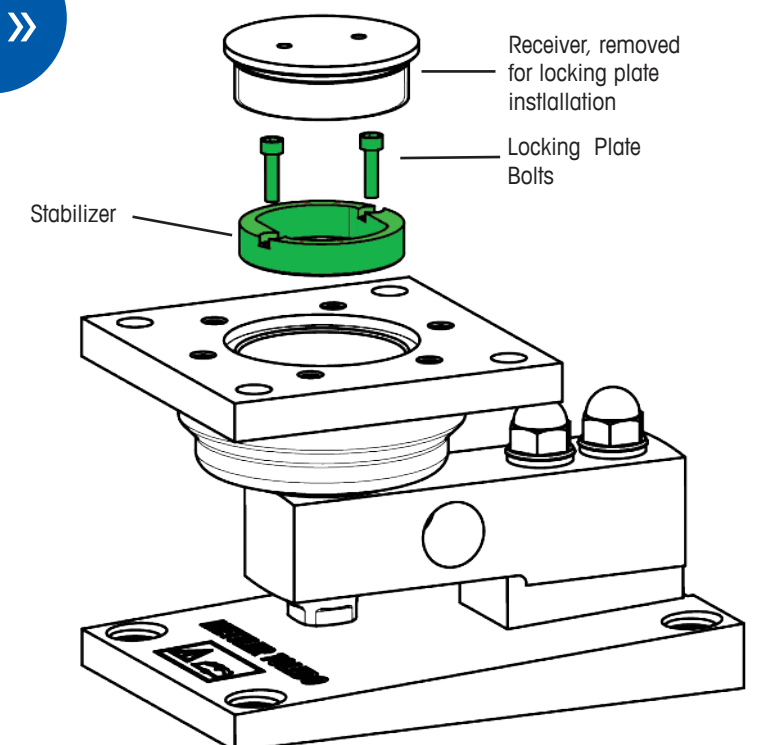


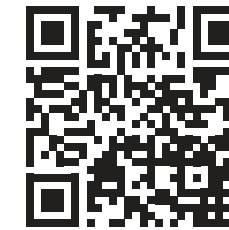
During installation, each weigh module must be equipped with a pair of locking plates.



5»

### Mounting Optional Stabilizer



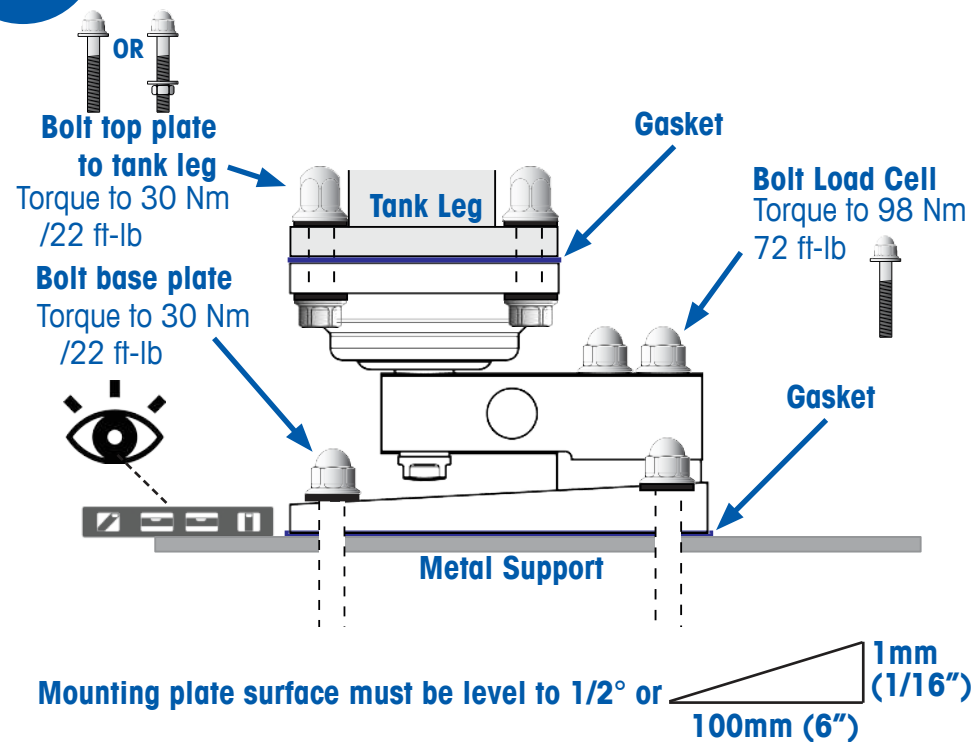


**Download the Installation Guide:**  
 EU-W: English, Deutsch, Español,  
 Français, Italiano, Nederlands, Português  
 EU N: Svenska, Dansk, Norsk  
 EU E: Polski, Čeština, Magyar, Русский, Türkçe  
[www.mt.com/ind-SWB805-downloads](http://www.mt.com/ind-SWB805-downloads)

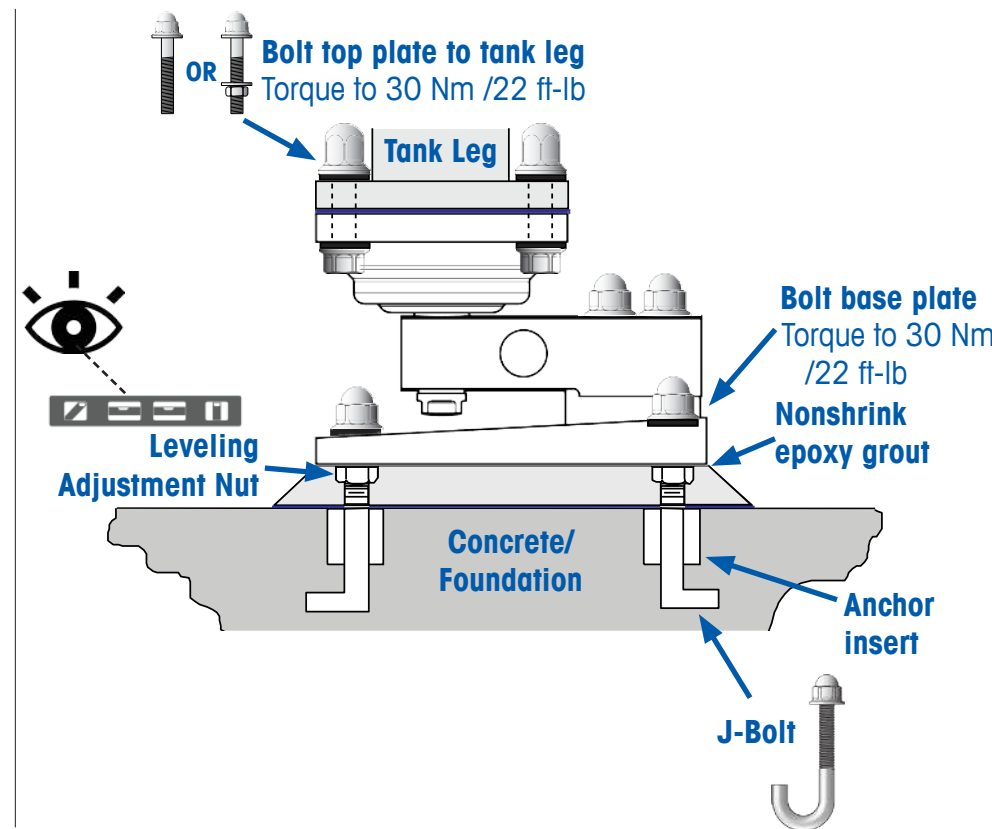
### Options for Securing the Weigh Modules

6»

#### BOLT the weigh module:



#### - OR - LEVEL AND GROUT the weigh module:



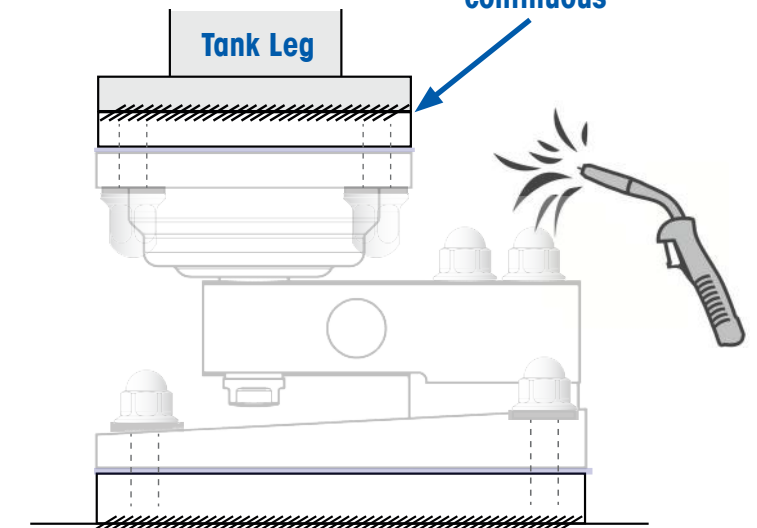
#### - OR -



- Remove weigh module before welding.
- Ground wire of welder must be as close to the weld seam as possible to ensure proper grounding.

Contact authorized METTLER TOLEDO technician for proper removal and re-installation of load cells.

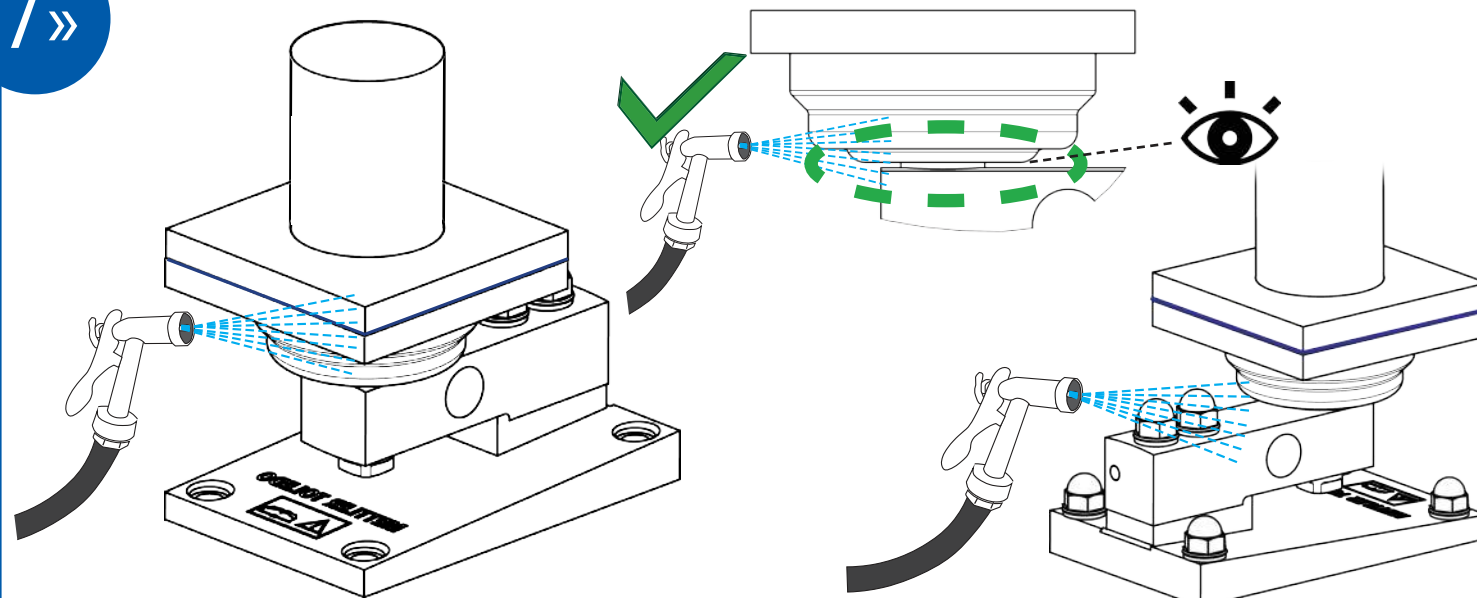
Weld: 9mm (3/8"), continuous



All weigh modules must be in the same plane within 3mm (1/8")

### Cleaning Guide

7»



### Installation Tips and Precautions:

- Never cut the load cell's cable or extend its length.
- Inspect gaskets monthly.
- Avoid moisture and dust.
- Ensure voltage stability – use a regulated power supply.
- Avoid overload and shock.
- Ensure good grounding.
- For hazardous area installations in Europe, refer to enclosed instructions (30104376 / 175389R).

### Note:

May be covered by one or more patent(s): visit [www.mt.com/patentmarking](http://www.mt.com/patentmarking)



Contact authorized METTLER TOLEDO service technician to activate the weigh modules for startup and calibration.

### Contact Information:

[www.mt.com/contact](http://www.mt.com/contact)

© 2017 Mettler-Toledo GmbH, Switzerland  
 01/2017 | 30382775A