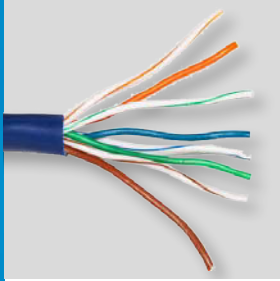


Hazardous-Area Terminal Block Designed for Easy Integration



Easy and efficient wiring

With its easy-to-use spring mechanism, ConBlock-X is the most efficient way to connect weigh modules in a hazardous area.



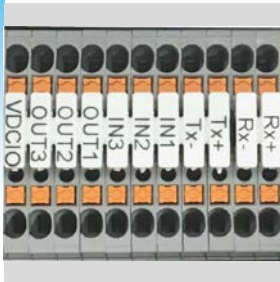
Fit for hazardous use

ConBlock-X is approved for use in locations rated Category 3.



Wash-down compatible

ConBlock-X's protective housing has an IP66 rating which enables use in wash-down applications.



Error-free connectivity

All contacts are clearly labeled to avoid wiring errors upon installation. Contacts are easy to identify.



ConBlock-X

For Easy and Efficient Wiring in Hazardous Areas

ConBlock-X allows the easy and efficient wiring of weigh modules in hazardous areas. Clearly labelled contacts that use a spring mechanism help to minimize installation errors and commissioning time while enhancing operator safety.

ConBlock-X's innovative protective housing enables it to be installed in wet areas to further expand its hazardous-area use.

Specifications

IP Rating	IP66
Enclosure Dimensions [mm]	75 x 160 x 56
Enclosure Material	Polyester
Hazardous Area Approval (ATEX)	II 2G Ex eb IIC T6 Gb II 2D Ex tb IIIC T 85°C Db
Ambient Temperature	-20°C to +40°C
Maximum Cable Size	1.5 mm ² / 16 AWG
Cable Glands	M16

Scope of Delivery

- ConBlock-X
- Supplementary Sheet
- CE Declaration of Conformity

Order Information

Model	Item Number
ConBlock-X	30374066

Compatible Weighing Devices



WMS Ex-2

► www.mt.com/WMS-Ex2



PBK9 Ex-2

► www.mt.com/PBK9



PFK9 Ex-2

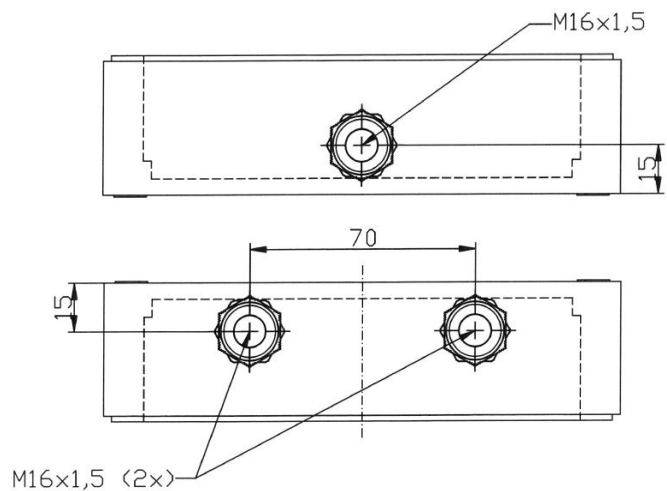
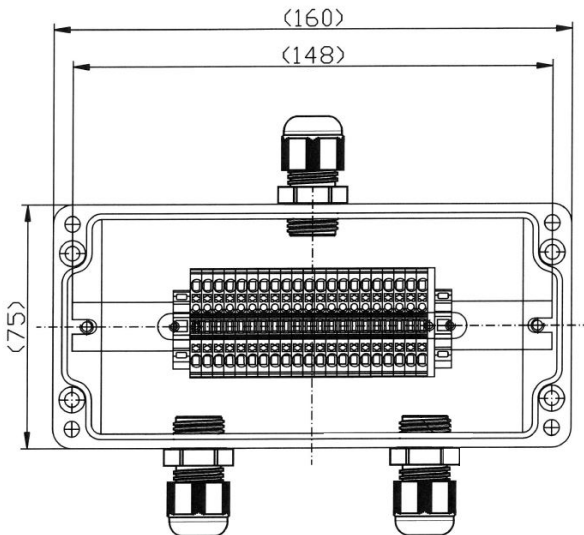
► www.mt.com/PFK9



SLF6 Ex-2

► www.mt.com/SLF6

Dimensions



METTLER TOLEDO Group
Industrial Division
Local contact: www.mt.com/contacts

Subject to technical changes
© 02/2017 METTLER TOLEDO. All rights reserved.
Document Number 30388060
MarCom Industrial

www.mt.com/APW

For more information