

Right the First Time

Safe, Accurate, Service Friendly



Tank Weighing

SWB505 MultiMount™ weigh modules offer rugged construction and many features for easy installation and accurate and reliable tank weighing. Standard lift-off bolt copes with tipping forces while vertical safety down-stop provides additional safety.



Conveyors and Mixers

Weigh modules are also designed for dynamic-loading applications such as conveyors, mixers and blenders. SWB505 MultiMount™ provides 360° checking for ease of installation and maximum safety. The rocker pin restores the top plate to its ideal position to maintain accurate, repeatable weight.



Load Cell

Load cells have a rocker pin design that automatically aligns load forces for accurate weighing. These hermetically sealed load cells are rated IP68 and can be used in all environments. The load cells are easy to inspect or replace.



Stabilizers

Up to two optional stabilizers can be applied to each weigh module to stabilize a scale subject to heavy vibration, high torque, or in-motion weighing. With stabilizers installed, thermal expansion is still possible, guaranteeing the best weighing performance.



SWB505
MultiMount™

SWV505 MultiMount™ Right the First Time

SWB505 MultiMount™ features ensure correct scale system installation, right from the start. Weigh modules do not compromise on safety – all safety features are built-in. The rocker pin design provides the highest level of weighing accuracy. Service features, including SafeLock™ provide easy and trouble free installation.

Features:

- Integrated lift-off protection
- Vertical safety down-stop
- Full 360° integrated checking
- Ground strap – welding protection
- SafeLock™ – Weigh module locked for installation
- SafeLock™ – Load cell protected for installation
- Dual stabilizer option
- All load cells with IP68/IP69K and fully stainless steel
- Global approvals standard on each load cell
- OIML C3/NTEP III M n:5 or OIML C6/NTEP III M n:10
- Zinc plated or stainless steel mounting hardware
- CalFree™: Calibration without test weights

SWB505 MultiMount™ Specifications – Weigh Module

| Weigh Module | unit of measure | Specification | | | | | | | | | | | | | |
|---|--|--|--------------|--------------|--------------|---------------|---------------|---------------|--------------|---------------|--------------|----------------|----------------|----------------|-----------------|
| | | SWB505 MultiMount™ | | | | | | | | | | | | | |
| Model No. | | SWB505 MultiMount™ | | | | | | | | | | | | | |
| Size | | 1 | | | | | | 2 | | | | 3 | | | |
| Rated Capacity | kg (lb, nominal) | 5 (11) | 10 (22) | 20 (44) | 30 (66) | 50 (110) | 100 (220) | 200 (440) | 300 (660) | 110 (250) | 220 (500) | 550 (1250) | 1100 (2500) | 2200 (5000) | 4400 (10000) |
| Max. Rated Forces ¹⁾ | | | | | | | | | | | | | | | |
| Max. Compressive Force, Rated | kN (lb) | 0.05 (11) | 0.1 (22) | 0.2 (44) | 0.3 (66) | 0.5 (110) | 1 (220) | 2 (440) | 3 (660) | 1.1 (250) | 2.2 (500) | 5.4 (1250) | 10.8 (2500) | 21.6 (5000) | 43.2 (10000) |
| Max. Horizontal Force, Rated | transverse longitudinal | 4.5 (1010) | | | | | | 7.5 (1685) | | | | 15 (3370) | | | |
| Max. Uplift Force, Rated | kN (lb) | 5.5 (1230) | | | | | | 16 (3600) | | | | 22.2 (5000) | | | |
| Max. horizontal force (longitudinal) per stabilizer option, Rated ⁷⁾ | kN (lb) | 1.5 (675) | | | | | | 5 (1120) | | | | 7.4 (1660) | | | |
| Max. Yield Forces ^{2) 4)} | | | | | | | | | | | | | | | |
| Max. Compressiv Force, Yield | kN (lb) | 0.074 (16.5) | 0.15 (33) | 0.29 (66) | 0.44 (99) | 0.74 (165) | 1.47 (330) | 2.94 (660) | 4.4 (990) | 1.62 (375) | 3.2 (750) | 8.1 (1875) | 16.2 (3750) | 23.3 (5120) | 50 (11200) |
| Max. Horizontal Force, Yield | transverse longitudinal | 6.6 (1480) | | | | | | 9.8 (2200) | | | | 22 (4950) | | | |
| Max. Uplift Force, Yield | kN (lb) | 7.7 (1730) | | | | | | 22 (4950) | | | | 34 (7640) | | | |
| Max. Ultimate Forces ^{3) 4)} | | | | | | | | | | | | | | | |
| Max. Compressiv Force, Ultimate ⁵⁾ | kN (lb) | 65 (14600) | | | | | | 90 (20000) | | | | 150 (33000) | | | |
| Max. Horizontal Force, Ultimate | transverse longitudinal | 17 (3800) | | | | | | 42 (9400) | | | | 48 (10750) | | | |
| Max. Uplift Force, Ultimate | kN (lb) | 22 (4590) | | | | | | 50 (11200) | | | | 55 (12350) | | | |
| Restoring Force | %A.L./mm (../in) ⁶⁾ | 7.4 (190) | | | | | | 4.4 (111) | | | | 5.5 (140) | | | |
| Max. top plate travel | transverse longitudinal ⁸⁾ | ± 2.5 (0.10) | | | | | | 3 (0.12) | | | | 3.5 (0.14) | | | |
| Weight (including load cell), nominal | kg (lb) | 4 (8.8) | | | | | | 6.6 (14.5) | | | | 7 (15.4) | | 15.4 (34) | |
| Material | | carbon steel / 304 stainless steel / 316 stainless steel | | | | | | | | | | | | | |
| Finish | | Zinc Plated / Electropolished / Electropolished | | | | | | | | | | | | | |

¹⁾ The weigh module is rated for these forces in normal operation, a Factor of Safety has been applied by Mettler Toledo.

²⁾ Warning: if loaded statically one time in excess of these forces, the weigh module may yield and need replacing. The Max. Yield Forces do not consider fatigue/cyclic loading and should be approached only in exceptional circumstances.

³⁾ Warning: if loaded statically one time in excess of these forces, the weigh module may break with potential for serious injury and/or property damage.

⁴⁾ Warning: apply a Factor of Safety appropriate to the application.

⁵⁾ The top plate will travel downwards by 5 mm (0.2 inches) before the down-stop engages and this ultimate force can be developed.

⁶⁾ % of Applied Load (A.L.) per mm (in) displacement of the top plate (transverse & longitudinal).

⁷⁾ 1 or 2 per weigh module. Max permissible longitudinal force per stabilizer.

⁸⁾ 0 with Stabilizer.

SWB505 MultiMount™ Specifications – Load Cell

| Load Cell | | unit of measure | Specification | | | | | | | | | | | | | | | | | | | |
|---|----------------------------|-----------------|---|------------|------------|-------------|-------------|--------------|--------------|--------------|--------------|---|---------------|---|-----------------|-----------------|----------|----------|----------|----------|----------|--|
| Item No. | 0.03% | | | | | | | | | | | | | | | 30129791 | | | | | | |
| | 0.05% | | 71209934 | | | | | | | | | | | | | | | | | | | |
| | C3 / III s n:3 / III M n:5 | | | 71209642 | 71201556 | | 71201557 | 71201558 | 71201559 | 71201560 | | | | | | | | | | | | |
| | C3 / III M n:5 | | | | | | | | | | | | | | | | 30091046 | 30091050 | 30091054 | 30039033 | 30094400 | |
| | C6 | | | | | 30212721 | 30212722 | 30212723 | 30212724 | 30212725 | | | | | | | | | | | | |
| | C6 / III M n:10 | | | | | | | | | | | | | | | | 30091047 | 30091051 | 30091055 | 30039034 | 30094401 | |
| Model No. | | | MTB | | | | | | | | | 0745A | | | | | | | | | | |
| Rated Capacity (R.C.) | kg (lb, nominal) | | 5 (11) | 10 (22) | 20 (44) | 30 (66) | 50 (110) | 100 (220) | 200 (441) | 300 (661) | 110 (250) | 220 (500) | 550 (1250) | 1100 (2500) | 2200 (5000) | 4400 (10000) | | | | | | |
| Rated Output | mV/V @R.C.-kg | | 2 ± 0.1% | | | | | | | | | 0.970 ± 0.2% | | 1.940 ± 0.1% | | | | | | | | |
| | mV/V @R.C.-lb | | - | | | | | | | | | 1.000 ± 0.2% | | 2.000 ± 0.1% | | | | | | | | |
| Combined Error ⁹⁾ 10) | %R.C. | | C3: ≤ 0.018 / C6: ≤ 0.012 | | | | | | | | | ≤ 0.03 | | C3: ≤ 0.018 / C6: ≤ 0.012 | | | | | | | | |
| Temperature Effect on | Min. Dead load Output | %R.C./°C (./°F) | C3: ≤ 0.001 (0.0006) / C6: ≤ 0.001 (0.0006) | | | | | | | | | ≤ 0.0027 (0.0015) | | C3: ≤ 0.0013 (0.0007) / C6: ≤ 0.0013 (0.0007) | | | | | | | | |
| | Sensitivity ¹⁰⁾ | %A.L./°C (./°F) | C3: ≤ 0.001 (0.0006) / C6: ≤ 0.0005 (0.0003) | | | | | | | | | ≤ 0.0014 (0.0008) | | C3: ≤ 0.001 (0.0006) / C6: ≤ 0.0005 (0.0003) | | | | | | | | |
| Temperature Range | Compensated | | -10 ~ +40 (+14 ~ +104) | | | | | | | | | -10 to +40 (+14 to +104) | | | | | | | | | | |
| | Operating | °C (°F) | -40 ~ +65 (-40 ~ +150) | | | | | | | | | -40 to +65 (-40 to +150) | | | | | | | | | | |
| | Safe Storage | | -40 ~ +80 (-40 ~ +176) | | | | | | | | | -40 to +80 (-40 to +176) | | | | | | | | | | |
| OIML / European Approval ¹¹⁾ | Class | | | C3 | C6 | C3 / C6 | | | | | C3 / C6 | | | | | | | | | | | |
| | nmax | | - | 3000 | 6000 | 3000 / 6000 | | | - | | 3000 / 6000 | | | | | | | | | | | |
| | Y | | | 12000 | | | | | | | | 11000 | | | | | | | | | | |
| NTEP Approval ¹¹⁾ | Class | | III S / III M | | | | | | | | | III M / III M | | | | | | | | | | |
| | nmax | | 3000 / 5000 | | | | | | | | | 5000 / 10000 | | | | | | | | | | |
| | Vmin | kg (lb) | R.C./12000 | | | | | | | | | 0.022 | 0.056 | 0.114 (0.25) | 0.227 (0.50) | 0.454 (1.0) | | | | | | |
| ATEX Approval ¹¹⁾ | Rating | | II 2 G Ex ib IIC T4 / II 2 D ibD 21 IP6X T135°C | | | | | | | | | II 2 G Ex ia IIC T4 Gb / II 2 D Ex ia IIIC T100°C Db | | | | | | | | | | |
| | | | II 3 G Ex nA II T4 / II 3 G Ex nL IIC T4 / II 3 D Ex tD A22 IP6X T135°C | | | | | | | | | II 3 G Ex ic IIC T4 Gc / II 3 G Ex nA IIC T4 Gc / II 3 D Ex tc IIIC T100°C Dc | | | | | | | | | | |
| IECEX Approval ¹¹⁾ | Number | | IECEX DEK 16.0031X | | | | | | | | | IECEX DEK 15.0017 | | | | | | | | | | |
| | Rating | | Ex ib IIC T4 Gb / Ex ib IIIC T135°C Db / Ex ic IIC T4 Gc / Ex nA IIC T4 Gc / Ex tc IIIC T135°C Dc | | | | | | | | | Ex ia IIC T4 Gb / Ex ia IIIC T100°C Db / Ex ic IIC T4 Gc / Ex nA IIC T4 Gc / Ex tc IIIC T100°C Dc | | | | | | | | | | |
| | Entity Parameters | | Ui = 25V, li = 600mA, Pi = 1.25W, Ci = 0.2nF/m, Li = 1mH/m / Un = 25V | | | | | | | | | Ui = 25V, li = 600mA, Pi = 1.25W, Ci = 5nF, Li = 30µH / Un = 25V, Ci = 5 nF | | | | | | | | | | |
| Factory Mutual Approval ¹¹⁾ | Rating, USA | | IS / I, II, III / 1 / ABCDEFG / T4 | | | | | | | | | IS / I, II, III / 1 / ABCDEFG / T4 | | | | | | | | | | |
| | | | NI / 1 / 2 / ABCD / T6 / S / II, III / 2 / FG / T6 | | | | | | | | | NI / 1 / 2 / ABCD / T6 / S / II, III / 2 / FG / T6 | | | | | | | | | | |
| | Rating, Canada | | IS / I, II, III / 1 / ABCDEFG / T4 | | | | | | | | | IS / I, II, III / 1 / ABCDEFG / T4 | | | | | | | | | | |
| Excitation Voltage | Recommended | V AC/DC | 5~15 | | | | | | | | | C3: 5~15 / C6: 5~10 | | | | | | | | | | |
| | Max. | | 20 | | | | | | | | | 15 | | | | | | | | | | |
| Terminal Resistance | Excitation | Ω | ≥ 383 | | | | | | | | | 384 ± 10 | | | | | | | | | | |
| | Output | | 350 ± 1 | | | | | | | | | 350 ± 2 | | | | | | | | | | |
| Protection | Spring Element | | stainless steel | | | | | | | | | stainless steel | | | | | | | | | | |
| | Type | | welded | | | | | | | | | welded | | | | | | | | | | |
| | IP Rating | | IP 68 , IP69K | | | | | | | | | IP 68 , IP69K | | | | | | | | | | |
| | NEMA Rating | | NEMA 6/6P | | | | | | | | | NEMA 6/6P | | | | | | | | | | |
| Weight, nominal | kg (lb) | | 0.6 (1.3) | | | | | | | | | 0.9 (2) | | 1.3 (2.9) | 2 (4.4) | | | | | | | |
| Cable Length | Lenght | m (ft) | 3 (9.8) / 5 (16.4) | | | | | | | | | PU: 2 (6.6), 3 (9.8), 5 (16.4), 10 (32.8) / FEP: 3 (9.8), 5 (16.4), 10 (32.8) | | | | | | | | | | |
| | Diameter | mm (in) | 5.8 (0.23) | | | | | | | | | PU: 5.2 (0.2) / FEP: 5.3 (0.21) | | | | | | | | | | |

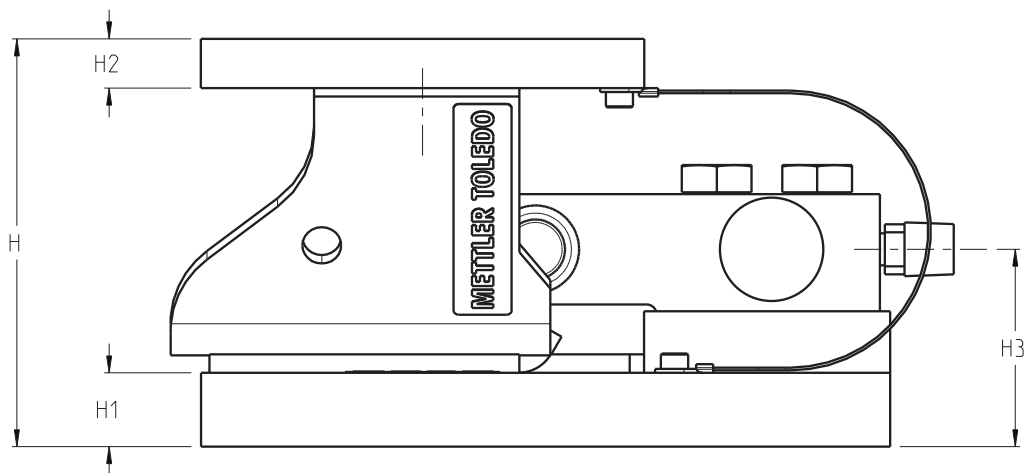
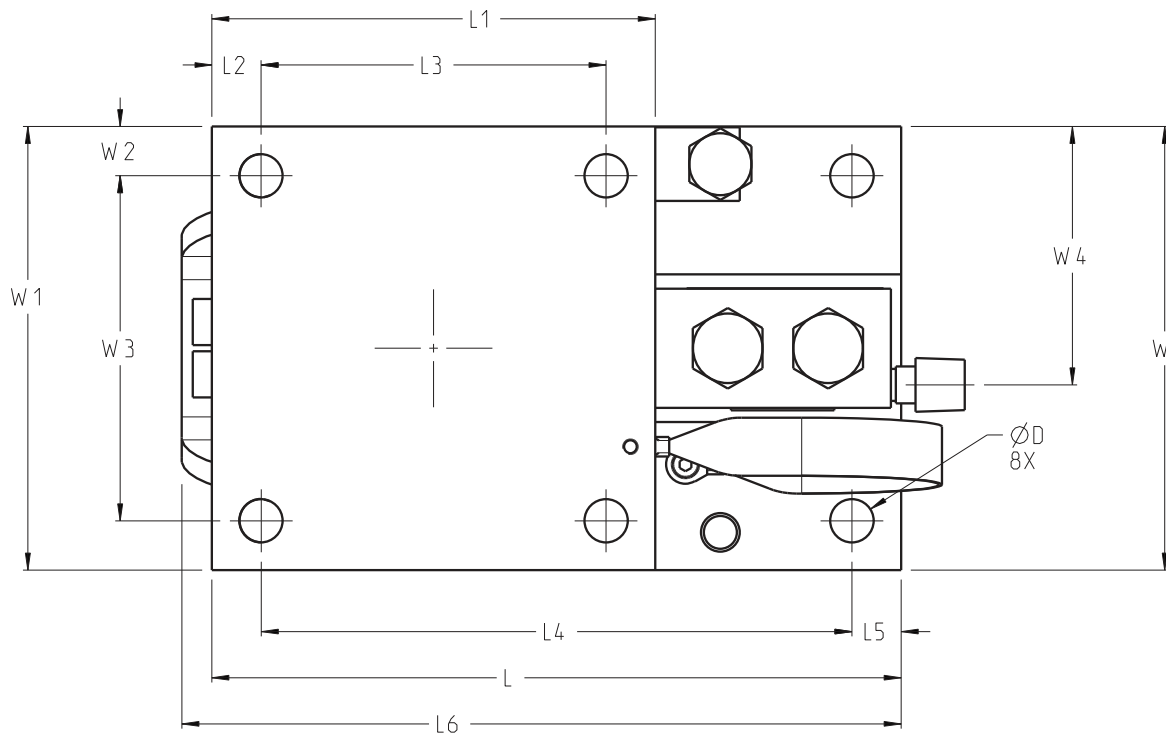
⁹⁾ Error due to the combined effect of non-linearity and hysteresis.

¹⁰⁾ Typical values only. The sum of errors due to Combined Error and Temperature Effect on Sensitivity comply with the requirements of OIML R60 and NIST HB44.

¹¹⁾ See certificate for complete information.



SWB505 MultiMount™ Weigh Module Dimensions mm [in]



| Size | Capacity | Locations and Dimensions | | | | | | | | | | | | | | | | |
|------|--------------------------------------|--------------------------|-----------------|----------------|----------------|----------------|-----------------|-----------------|----------------|-----------------|-----------------|----------------|-----------------|-----------------|-----------------|----------------|-----------------|----------------|
| | | D | H | H1 | H2 | H3 | L | L1 | L2 | L3 | L4 | L5 | L6 | W | W1 | W2 | W3 | W4 |
| 1 | 5 kg – 300 kg (11 lb – 600 lb) | 10 (0.4) | 83 (3.3) | 12.7 (0.50) | 8 (0.3) | 41.0 (1.61) | 165 (6.5) | 102 (4.0) | 10 (0.4) | 82 (3.2) | 145 (5.7) | 10 (0.4) | - | 102 (4.0) | 102 (4.0) | 10 (0.4) | 82 (3.3) | 60.0 (2.36) |
| 2 | 110 kg – 1.1 t (250 lb – 2.5 klb) | 11.2 (0.44) | 105.2 (4.14) | 19.1 (0.75) | 12.7 (0.50) | 50.9 (2.00) | 177.9 (7.00) | 114.4 (4.50) | 12.7 (0.50) | 89.0 (3.5) | 152.4 (6.00) | 12.7 (0.50) | 185.6 (7.31) | 114.4 (4.50) | 114.4 (4.50) | 12.7 (0.50) | 89.0 (3.5) | 66.6 (2.62) |
| | 2.2 t (5 klb) | | | | | 51.3 (2.02) | | | | | | | | | | | | 69.7 (2.74) |
| 3 | 4.4 t (10 klb) | 17.5 (0.69) | 136.6 (5.38) | 25.4 (1.00) | 19.1 (0.75) | 70.3 (2.77) | 235.0 (9.25) | 152.4 (6.00) | 25.4 (1.00) | 101.6 (4.00) | 184.2 (7.25) | 25.4 (1.00) | - | 152.4 (6.00) | 152.4 (6.00) | 25.4 (1.00) | 101.6 (4.00) | 91.7 (3.61) |

Order Information SWB505 MultiMount™ – Weigh Module including Load Cell

| Order Information, Weigh Module Assembly | | | | | Item No. | | |
|--|--------------------------|-----------------------------|----------------------------|------------------------|-----------------|-----------------|-----------------|
| Size | Rated Capacity | Description | Class / Description | Cable, Material/Lenght | Material | | |
| | | | | | CS | 304 | 316 |
| 1 | 5kg / 11lb | Weigh Module Assembly | 0.05% | PVC / 3 m (9.8ft) | 30040372 | 30040863 | 30040920 |
| | 10kg / 22lb | | C3 / III s n:3 / III M n:5 | | 30040373 | 30040864 | 30040921 |
| | 20kg / 44lb | | C3 / III s n:3 / III M n:5 | | 30040374 | 30040865 | 30040922 |
| | 30kg / 66lb | | C6 | | 30219963 | 30219968 | 30219973 |
| | 50kg / 110lb | | C3 / III s n:3 / III M n:5 | | 30040375 | 30040866 | 30040923 |
| | | | C6 | | 30219964 | 30219969 | 30219974 |
| | 100kg / 220lb | | C3 / III s n:3 / III M n:5 | | 30040376 | 30040867 | 30040924 |
| | | | C6 | | 30219965 | 30219970 | 30219975 |
| | 200kg / 440lb | | C3 / III s n:3 / III M n:5 | | 30040861 | 30040868 | 30040925 |
| | | | C6 | | 30219966 | 30219971 | 30219976 |
| | 300kg / 661lb | C3 / III s n:3 / III M n:5 | 30040862 | 30040869 | 30040926 | | |
| | | C6 | 30219967 | 30219972 | 30219977 | | |
| | 5-300kg / 11-661lb | Stabilizer | - | - | 30040930 | | 30040931 |
| | | Dead Stand | | | 30025909 | | 30025913 |
| Shock/Vibration Pad | | 30040932 | | | | | |
| Thermal Isolation Pad 80°C | | 30040933 | | | | | |
| Thermal Isolation Pad 170°C | | 30040935 | | | | | |
| 2 | 110kg / 250lb | Weigh Module Assembly | 0.03% | PU / 5 m (32.8ft) | 61043206 | 61043215 | 61046391 |
| | 220kg / 500lb | | C3 / III M n:5 | | 61043207 | 61043216 | 61046392 |
| | | | C6 / III M n:10 | | 30096895 | 30131902 | 30131907 |
| | 550kg / 1,250lb | | C3 / III M n:5 | | 61043208 | 61043217 | 61046393 |
| | | | C6 / III M n:10 | | 30096896 | 30131903 | 30131908 |
| | 1100kg / 2,500lb | | C3 / III M n:5 | | 61043209 | 61043218 | 61046394 |
| | | | C6 / III M n:10 | | 30096897 | 30131904 | 30131909 |
| | 2200kg / 5,000lb | | C3 / III M n:5 | | 61043210 | 61043219 | 61046395 |
| | | C6 / III M n:10 | 30096898 | 30131905 | 30131910 | | |
| | 110-2200kg / 250-5,000lb | Stabilizer | - | - | 61046399 | 61046400 | 61046401 |
| Dead Stand | | 61010624 | | | 61046402 | 61946403 | |
| Shock/Vibration Pad | | 61005965 | | | | | |
| Thermal Isolation Pad 80°C | | 61010620 | | | | | |
| Thermal Isolation Pad 170°C | | 61024642 | | | | | |
| 4400kg / 10,000lb | Weigh Module Assembly | C3 / III M n:5 | PU / 10 m (32.8ft) | 61043211 | 61043220 | 61046396 | |
| | | C6 / III M n:10 | PU / 10 m (32.8ft) | 30131911 | 30131912 | 30131913 | |
| 3 | 4400kg / 10,000lb | Stabilizer | - | - | 61046404 | 61046405 | 61046406 |
| | | Dead Stand | | | 61010625 | 61046407 | 61046408 |
| | | Shock/Vibration Pad | | | 61005938 | | |
| | | Thermal Isolation Pad 80°C | | | 61010621 | | |
| | | Thermal Isolation Pad 170°C | | | 61037510 | | |

Bolded entries are stocked

Order Information SWB505 MultiMount™ – Weigh Module without Load Cell

- SafeLock™ allows to install weigh module hardware without load cell to avoid sensor damage
- Combine weigh module with special cable length and cable material
- Use weigh module with dummy load cell for level detection systems

| Order Information, Weigh Module Kit | | Item No. | | | Suitable Load Cells | | | | | | | | |
|-------------------------------------|----------------------------|-----------------|-----------------|-----------------|----------------------------|--------------------------|------------------------|--------------------------|-------------------------|-------------------------|---------------------------|--------------------------|-----------------|
| Size | Rated Capacity | Material | | | Class | Item No. | | | | | | | Dummy Load Cell |
| | | CS | 304 | 316 | | Cable, Material / Length | | | | | | | |
| | | | | | | PVC / 3 m (10ft) | PVC / 5 m (16.6ft) | | | | | | |
| 1 | 5kg / 11lb | 30040927 | 30040928 | 30040929 | 0.05% | - | 71209934 | 72208033 | - | - | - | - | 30025910 |
| | 10kg / 22lb | | | | 71209642 | | 72208034 | | | | | | |
| | 20kg / 44lb | | | | 71201556 | | 72208035 | | | | | | |
| | 30kg / 66lb | | | | 30212721 | | 30226939 | | | | | | |
| | 50kg / 110lb | | | | C3 / III S n:3 / III M n:5 | | 71201557 | 72208036 | | | | | |
| | | | | | C6 | | 30212722 | 30226940 | | | | | |
| | 100kg / 220lb | | | | C3 / III S n:3 / III M n:5 | | 71201558 | 72208037 | | | | | |
| | | | | | C6 | | 30212723 | 30226941 | | | | | |
| | 200kg / 440lb | | | | C3 / III S n:3 / III M n:5 | | 71201559 | 72208038 | | | | | |
| | | | | | C6 | | 30212724 | 30226942 | | | | | |
| 300kg / 661lb | C3 / III S n:3 / III M n:5 | 71201560 | 72208039 | | | | | | | | | | |
| | | | | C6 | | 30212725 | 30226943 | | | | | | |
| | | | | | | PU / 2 m (6.6ft) | PU / 3 m (10ft) | PU / 5 m (16.6ft) | PU / 10 m (33ft) | FEP / 3 m (10ft) | FEP / 5 m (16.6ft) | FEP / 10 m (33ft) | |
| 2 | 110kg / 250lb | 61043213 | 61043222 | 61046397 | 0.03% | 30129790 | 30129729 | 30129791 | 30129792 | 30129793 | 30129794 | 30129795 | 68000714 |
| | 220kg / 500lb | | | | C3 / III M n:5 | 30091034 | 30129604 | 30091046 | 30094384 | 42111204 | 30094412 | 30094432 | |
| | 550kg / 1250lb | | | | C6 / III M n:10 | 30091035 | 30129605 | 30091047 | 30094385 | 42111205 | 30094413 | 30094433 | |
| | | | | | C3 / III M n:5 | 30091038 | 30129606 | 30091050 | 30094388 | 42111224 | 30094416 | 30094436 | |
| | 1100kg / 2500lb | | | | C6 / III M n:10 | 30091039 | 30129607 | 30091051 | 30094389 | 42111225 | 30094417 | 30094437 | |
| | | | | | C3 / III M n:5 | 30091042 | 30129608 | 30091054 | 30094392 | 42111244 | 30094420 | 30094440 | |
| 2200kg / 5000lb | C6 / III M n:10 | 30091043 | 30129609 | 30091055 | 30094393 | 42111245 | 30094421 | 30094441 | | | | | |
| | C3 / III M n:5 | 30091026 | 30039031 | 30039033 | 30094396 | 30094404 | 30094424 | 30094444 | | | | | |
| 3 | 4400kg / 10000lb | 61043214 | 61043223 | 61046398 | C3 / III M n:5 | 30091030 | 30039041 | 30039043 | 30094400 | 30094408 | 30094428 | 30094448 | 61005964 |
| | | | | | C6 / III M n:10 | 30091031 | 30039042 | 30039044 | 30094401 | 30094409 | 30094429 | 30094449 | |

Bolded entries are stocked

SWB505 MultiMount™ Cable Colour MTB

| Colour | Function |
|---------------|--------------|
| Green | + Excitation |
| Black | - Excitation |
| White | + Signal |
| Red | - Signal |
| Yellow | + Sense |
| Blue | - Sense |
| Yellow (long) | Shield |

SWB505 MultiMount™ Cable Colour 0745A

| Colour | Function |
|--------|--------------|
| Green | + Excitation |
| Black | - Excitation |
| White | + Signal |
| Red | - Signal |
| Yellow | Shield |

Full Connectivity

METTLER TOLEDO supplies various data communication interfaces that enable our sensors and instruments to communicate with your PLC, MES, or ERP systems.



Weighing Electronics

METTLER TOLEDO offers a complete family of electronics from simple weighing to application solutions for filling, stock control, batching, formulation, counting, checkweighing.



METTLER TOLEDO Service

Our extensive service network is among the best in the world and ensures maximum availability and service life of your product.



Mettler Toledo GmbH

CH-8606 Greifensee
Switzerland
Tel. +41 44 944 22 11
Fax +41 44 944 30 60

Subject to technical changes
© 07/2016 Mettler-Toledo GmbH
MarCom Switzerland
MTSI 44098436

www.mt.com

For more information