

IND226x Weighing Terminal

Safe weighing in hazardous areas



Uncompromising safety

Globally recognized as intrinsically safe, this terminal is suitable for installation into both Division 1 and Zone 1/21 classified hazardous areas.



Large display

LED status indicators provide visual clues to operators monitoring weighing transactions.



IND226x sets new standards

With global approvals and conformity with the latest guidelines, the IND226x is the weighing terminal of choice for a variety of hazardous area operations. The stainless steel enclosure and compatibility with explosion-proof platforms ensure secure and accurate weighing in challenging environments.

Flexible power options

including intrinsically safe battery power and an explosion-proof AC power supply.



METTLER TOLEDO

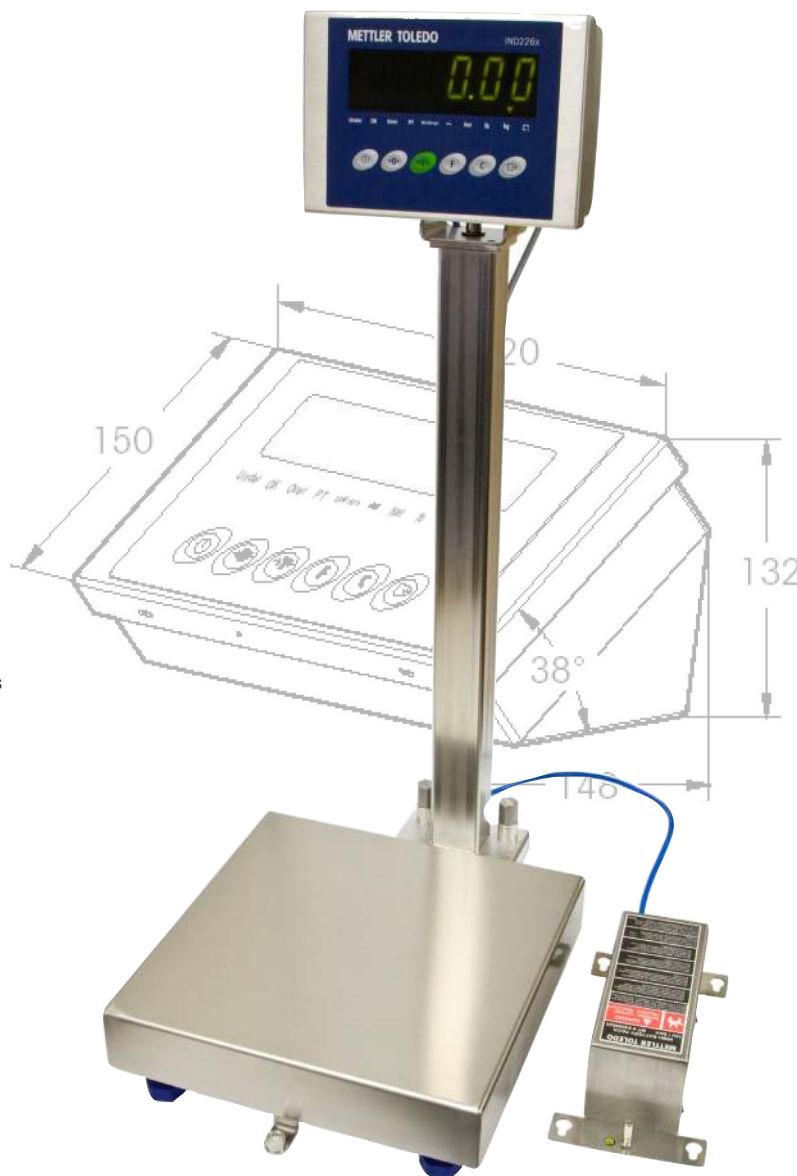
Technical data

IND226x

Hazardous area weighing terminal

Features and Benefits

- Intrinsically safe design allows for installation in Division 1 and Zone 1/21 hazardous areas
- Single analog scale input interfaces with numerous analog bench scales, floor scales and load cells
- Compact in size and compatible with a variety of mounting hardware
- Tough stainless steel construction and robust design provide IP66 protection to withstand aggressive environments
- Built-in software for check-weighing and classifying operations
- The F (Function) key provides one-touch access to a user-selected operating feature
- Enhance product quality using the integrated MinWeigh feature, which displays a dedicated LED icon to warn the operator when the weight falls below minimum threshold
- Calibration options for flexibility: Traditional calibration with linearization, and the time-saving CalFREE electronic calibration
- Remote display feature which provides for communication and control to and from the hazardous area, with no need for a barrier (when used in conjunction with a second IND226x)
- A safe area communication module (the ACM200) allows for interface with printers, PCs and higher function terminals
- A single, on-board digital input allows a remote operator to execute such commands as Clear, Zero and Tare, or to send a print job to a safe area peripheral



Display	Luminous 7-segment, 6 digits, 30mm (1.2 in.) digit height
Keypad	Hardcoated polyester: Power, Zero, Tare, Function, Clear and Print
Optional interfaces	Interface IND for communication with other terminals, PC systems or peripherals in the safe area Interface Remote for Master/Remote applications within the hazardous area, or to and from the safe area with no barrier
Applications	Simple weighing; manual filling; mobile weighing
Special features	MinWeigh, CalFREE™, Over/Under, battery-saving sleep mode and stand-by functions; single on-board active digital input
Enclosure and dimensions (L x W x D)	Full stainless steel enclosure 220 x 150 x 132 mm (8.6 x 6 x 5.2 in.)
Weight	1.9 kg net, 2.5 kg gross (including packaging)
Operating environment	-10°C to +40°C (14°F to 104°F) for verification, Class III; 10% to 85% relative humidity, non-condensing; up to 2000 m. (6,500 ft.) above sea level
Scale types	Supports single analog scale platform, 1-4 cells, nominal value 2mV/V or 3 mV/V, total impedance between 87 and 1050 Ohms, min. input signal 0.8µV/e
Maximum resolution	6,000e SR (OIML) 10,000d SR (NTEP) 30,000d in non-verifiable mode
Power options	APS500 (120 V, 50/60 Hz); APS501 (240 V, 50/60 Hz); external intrinsically safe NiMH battery pack
Approvals	Housing protection: IP66 (EN 605290) Explosion protection: Europe: ATEX II 2G Ex ib IIC T4, -10°C to +40°C (14°F to 104°F); II 2D Ex ID A21 IP66 T60°C, according to EN 60079-0, 61241-1 USA/Canada: cFMus – IS Class I, II, III Div1, Groups A-G Ta 40°C / T4, according to FM 3600, 3610, 3810 EMC: NAMUR-recommendation, MT-Guideline, standards: EN 61000-6-1, EN 61000-6-3, EN 61000-4-3 (10V/m), EN 61000-4-6 (10V/m)



Quality certificate ISO9001
Environment certificate ISO14001
Internet: <http://www.mt.com>
Worldwide service

Subject to technical changes
INDB0049.1E
©02/2009 Mettler-Toledo, Inc.

ServiceXXL

Tailored Services

Essential Services for Dependable Performance

METTLER TOLEDO is uniquely qualified to provide the installation, calibration and maintenance services essential to ensuring accuracy, optimizing uptime and prolonging equipment life. Our service representatives will be there at the right time, with the right parts, the right tools and the right skills to meet your needs.

www.mt.com

for more information